

## Workshop Equipment

The Product division Workshop equipment comprises a modern, high performance system, which, due to its versatility and flexibility, ensures that a multitude of applications in workshops are significantly simplified.

Mobile workshop cranes with capacities up to 1 t, hydraulic car jacks up to 50t and hydraulic trolley jacks up to 50t and many other products make daily working life easier and more ergonomic. Workshop presses with a capacity of up to 100t are an indispensable tool when removing or inserting bearings or bushes etc.

The following applies also to our workshop equipment: dependability is ensured through a combination of high quality, functionality and safety.

## Table of contents

	Page
<b>Jacks</b>	<b>414 - 417</b>
<b>Workshop presses</b>	<b>418 - 420</b>
<b>Workshop presses/Accessories</b>	<b>421</b>
<b>Service jacks</b>	<b>422 - 423</b>
<b>Accessories</b>	<b>424</b>
<b>Workshop cranes</b>	<b>425</b>

# PFAFF

*silberblau*

## WORKSHOP EQUIPMENT





Model HWH 2K, 3t



Model HWH KS, 5t

## Hydraulic car jack

- with 2 pistons  
model HWH 2K PROLINE

- with 2 pistons and spindle  
model HWH 2KS PROLINE

- with piston and spindle  
model HWH KS PROLINE

### Capacity 2 - 30t

For lifting vehicles on one side (the lifted load must be secured mechanically with supporting stands, for example).

#### Features

- Versions with hydraulic piston and mechanical spindle drive resp. with 2 hydraulic pistons.
- With carrying bracket from load capacity 20t.
- Extremely low design with model HWH 2K/D (incl. 1 pressure section for lift extension).
- With integrated pressure control valve for a longer service life of the jack.
- Integrated seat valve for controlled lowering of the load.



Model HWH 2K NB, 10t



Model HWH 2KS, 10t

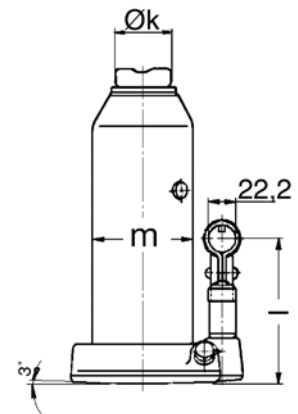


Model HWH KS, 20t

Technical data model HWH 2K PROLINE and HWH 2KS PROLINE

Model	EAN-No. 4050939***	Capacity t	Weight kg
HWH 2K 3,0	***017507	3	4.87
HWH 2K 5,0	***017569	5	6.3
HWH 2KS 10,0	***017781	10	8.8
HWH 2KS 12,0	***017859	12	11.0
HWH 2K NB 10,0 <sup>1</sup>	***017828	10	7.9
HWH 2K/D 10,0 <sup>2</sup>	***017798	10	6.5

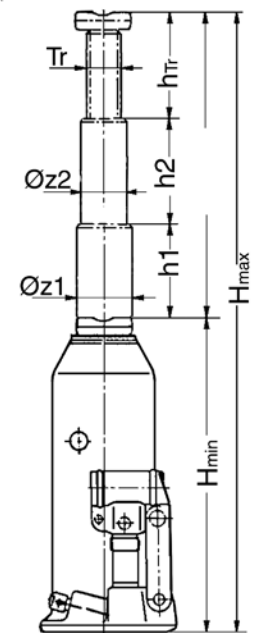
<sup>1</sup> horizontal pump unit    <sup>2</sup> with replaceable pressure section (height 45 mm)



Dimensions model HWH 2K PROLINE and HWH 2KS PROLINE

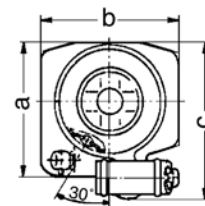
Model	HWH 2K 3,0	HWH 2K 5,0	HWH 2KS 10,0	HWH 2KS 12,0	HWH 2K NB 10,0 <sup>1</sup>	HWH 2K/D 10,0 <sup>2</sup>
H min., mm	185	215	200	230	175	120
H max., mm	400	520	530	570	385	230
h1, mm	110	145	130	130	104	54
h2, mm	105	160	132	125	106	56
hTr, mm	-	-	68	85	-	-
Ø k, mm	60x35	43	40	48	43	38
l, mm	115	134	116	53	136	112
m, mm	80	90	116	133	116	116
Tr, mm	-	-	32x5	40x6	-	-
Ø z1, mm	32	39	52.58	61.5	52.5	52.5
Ø z2, mm	23	29	39.5	48.5	39.5	39.5

<sup>1</sup> horizontal pump unit    <sup>2</sup> with replaceable pressure section (height 45 mm)



Technical data model HWH KS PROLINE with piston and spindle

Model	EAN-No. 4050939***	Capacity t	Weight kg
HWH KS 2,0	***018436	2	2.9
HWH KS 3,5	***018535	3.5	2.9
HWH KS 5,0	***017286	5	3.9
HWH KS 8,0	***017293	8	5.7
HWH KS 10,0	***017316	10	5.7
HWH KS 12,0	***017323	12	7.1
HWH KS 15,0	***017354	15	8.3
HWH KS 20,0	***017521	20	10.7
HWH KS 25,0	***017743	25	13.1
HWH KS 30,0	***017774	30	14.5



INFO

Model HWH KS PROLINE with capacity of 50 t and 100 t available on request.

Dimensions model HWH KS PROLINE with piston and spindle

Model	HWH KS 2,0	HWH KS 3,5	HWH KS 5,0	HWH KS 8,0	HWH KS 10,0	HWH KS 12,0	HWH KS 15,0	HWH KS 20,0	HWH KS 25,0	HWH KS 30,0
H min., mm	170	170	212	220	220	230	230	240	240	240
H max., mm	377	377	462	480	480	497	495	505	515	482
h1, mm	115	115	150	150	150	157	155	155	157	142
hTr, mm	92	92	100	110	110	110	110	110	118	100
Ø k, mm	28	28	40	48	48	48	60	60	65	65
l, mm	113	113	113	116	116	116	116	116	120	116
m, mm	58	58	65	80	80	90	95	116	133	133
Tr, mm	20x4	20x4	24x5	32x5	32x5	35x6	40x6	45x6	48x6.35	48x6.35
Ø z1, mm	24.9	24.9	29.9	39.5	39.5	43.5	48.5	54.5	59.5	61.5



## Universal jacks model JH

Capacity 2 - 50 t

Universal jacks supply high forces for general operations like lifting, pushing, moving, supporting of all kind of loads.

### Features

- Robust, long life design.
- Pressure relief valve
- Precise controlled lowering.
- Additional screw extension of the piston (up to 20t).
- Grooved saddle.
- Large base plates for increased stability.
- Model JH-50-2 with two-stage pump.
- Incl. operating lever.



JH-50-2

### Technical data model JH

Model	EAN-No. 4025092*	Capacity t	Lift mm	Additional screw extension mm	Closed height mm	Base plate mm	Pump	Weight kg
JH-2 B	*162722	2	115	50	181	90x95	1 <sup>st</sup> stage	2.7
JH-4 B	*162739	4	126	60	205	115x110	1 <sup>st</sup> stage	3.7
JH-6 B	*162746	6	130	75	219	115x110	1 <sup>st</sup> stage	4.7
JH-8 B	*162753	8	152	70	225	120x120	1 <sup>st</sup> stage	5.7
JH-12 B	*162760	12	153	80	240	140x130	1 <sup>st</sup> stage	8.0
JH-20 B	*162777	20	153	80	240	160x155	1 <sup>st</sup> stage	11.0
JH-30	*154352	30	180	-	280	210x180	1 <sup>st</sup> stage	22.0
JH-50-2	*154376	50	178	-	305	255x190	2 <sup>nd</sup> stage	53.0

## Machine jack model MH

Capacity 5 - 25 t

For lifting heavy machinery and other loads.

### Features

- Can be used in every position.
- Lifting by means of a hand pump.
- Lowering by means of a precision lowering valve.
- With carrying handle for models MH 50 and MH 100.
- With carriage for model MH 250.
- Pressure control valve for a longer service life of the jack.
- Integrated lifting limitation.
- Low application height of the claw.
- Slewing claw (models MH 50 and MH 100)
- Large base plate for a high level of stability.
- Stable construction with hard-chromium plated piston rod.

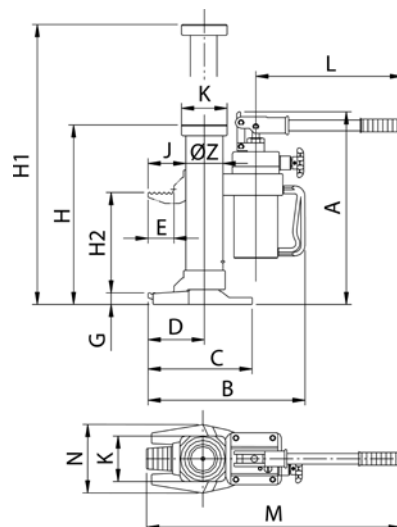


### Technical data model MH

Model	EAN-No. 4025092* 4050939***	Capacity t	Lift mm	Application height min. with claw mm	Application height min. with head mm	Pump lever force with full load daN	Weight kg
MH 50	*983815	5	205	25	≤368	38	25
MH 100	*983730	10	230	30	≤420	40	35
MH 250	***005269	25	215	58	≤505	40	109

### Dimensions model MH

Model	MH 50	MH 100	MH 250
A, mm	393	449	-
B, mm	320	325	459
C, mm	213	205	420
D, mm	115	120	220
E, mm	53	55	90
G, mm	25	30	58
H, mm	368	420	505
H1, mm	573	650	720
H2, mm	205	230	215
J, mm	77	74,5	142,5
K, mm	93	108	175
L, mm	520	520	920/840
M, mm	740	745	1305/1225
N, mm	140	170	210/283
Ø Z, mm	76	91	155





## Workshop press with hydraulic hand pump model HWPHP

Pressing power 15 - 50 t

Suitable for pressing bearings and bushes in and out, pressing and bending components, for straightening shafts and alignment work.

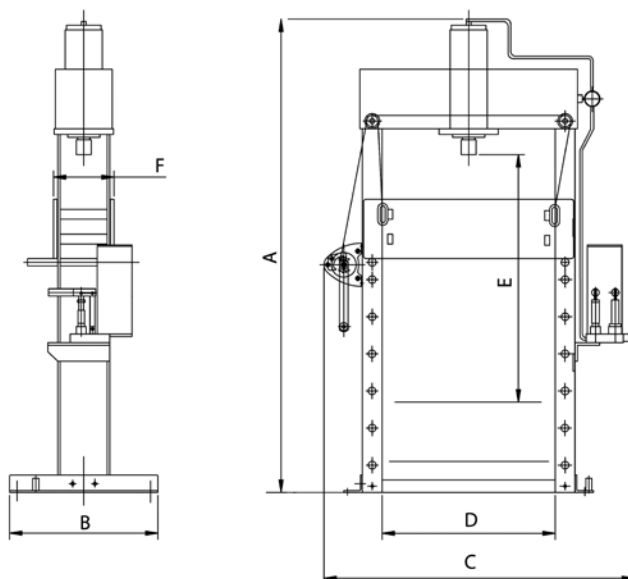
### Features

- Versions for 15 t and 20 t with supporting plate, prism set and centering device (accessories optional for higher tonnages).
- Fitted with 2-level hand pump.
- With manometer as standard.
- With hand cable winch for table adjustment (from model HWPHP 30).

## INFO

### Intended use:

A workshop press/straightening press is a press with a slow closing speed of 10 mm/sec. and a maximum pressing capacity of 10 full load/full lift presses per hour.



### Technical data model HWPHP

Model	HWPHP 15	HWPHP 20	HWPHP 30	HWPHP 40	HWPHP 50
EAN-No. 4050939***	***017200	***017262	***017422	***017439	***017491
Pressing power, t	15	20	30	40	50
Operating pressure, bar	240	320	250	330	330
Lifting height, mm	190	190	190	190	190
Total height A, mm	1870	1870	1920	2010	2030
Total depth B, mm	500	500	600	780	850
Total width C, mm	940	940	1260	1335	1350
Clear working width D, mm	550	550	700	775	775
Clear working height E, mm	940	940	1000	1125	1155
Table width F, mm	185	185	245	258	304
Weight, kg	160	160	250	310	420

## Workshop press with hydraulic electric pump model HWPEP

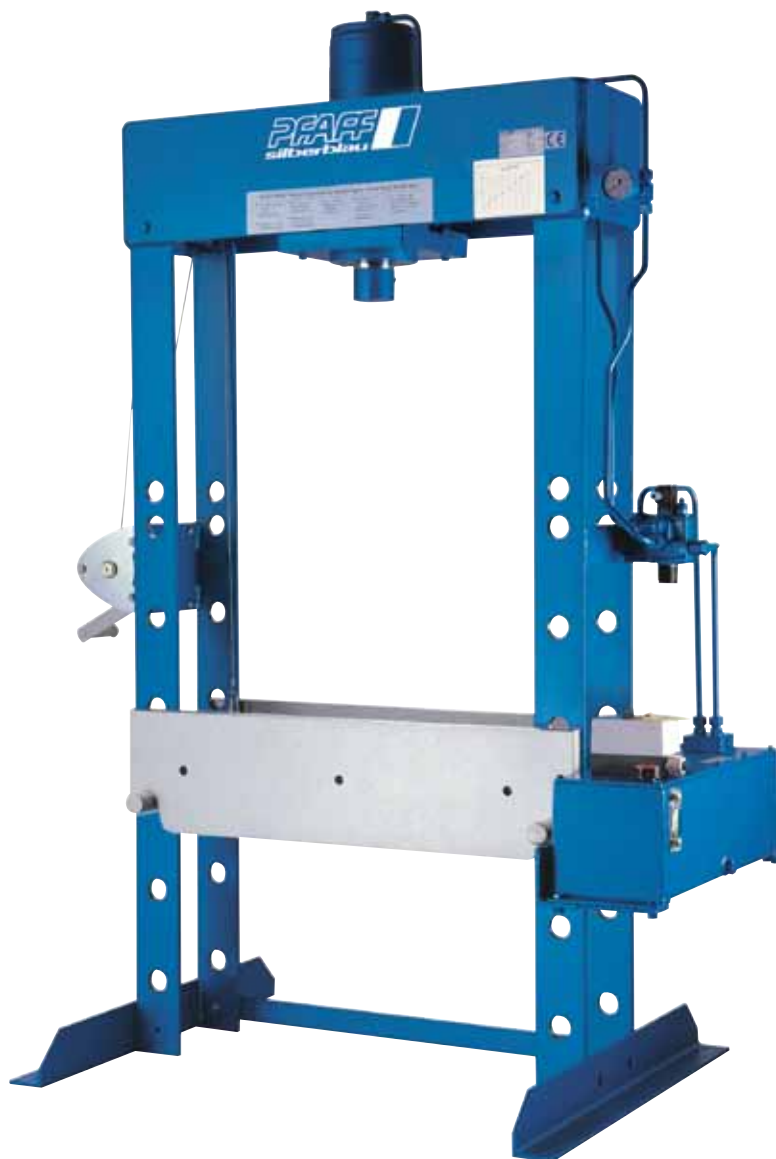
Pressing power 30 - 100 t

Compressed productivity in press form for repair and assembly work. This is what the workshop press offers with its reliable 1- or 2-level electric pump and pressing power of up to 100 metric tons. Whether you are pressing bearings and bushes in and out, straightening axles, beams and shafts, or bending, pressing or setting up tools ...

The high performance of this press is based on optimized technology. For example, the press comes with a high pressure unit with a manometer, a control valve and three-way valve, an adjustable pick-up table and high-quality pistons made of chrome-plated hardened and tempered special steel.

### Features

- Fitted with 1- or 2-level electric pump.
- With manometer as standard.
- With hand cable winch for table adjustment.



With hand cable winch for table adjustment

At all models HWPHP and HWPEP as of 30t as standard

### INFO

Accessories available as options (please see page 421).

Units with pressing power of 150/200/300t on request



## Technical data model HWPEP with 1-level electric pump

Model	HWPEP-1 30	HWPEP-1 40	HWPEP-1 50	HWPEP-1 100
EAN-No. 4050939***	***017644	***017712	***017873	***018238
Pressing power, t	30	40	50	100
Operating pressure, bar	250	330	330	320
Lifting height, mm	260	260	260	300
Total height A, mm	1880	2010	2030	2170
Total depth B, mm	660	780	850	1000
Total width C, mm	1240	1315	1410	1700
Clear working width D, mm	700	775	775	1000
Clear working height E, mm	1000	1125	1155	1075
Table width F, mm	245	258	300	415
Closing speed, mm/s	5.1	5.1	4.1	2.9
Motor	400V/1.5 kW			400V/3 kW
ED, %	S 3-30% <sup>1</sup>			
Weight, kg	280	340	450	920

## Technical data model HWPEP with 2-level electric pump

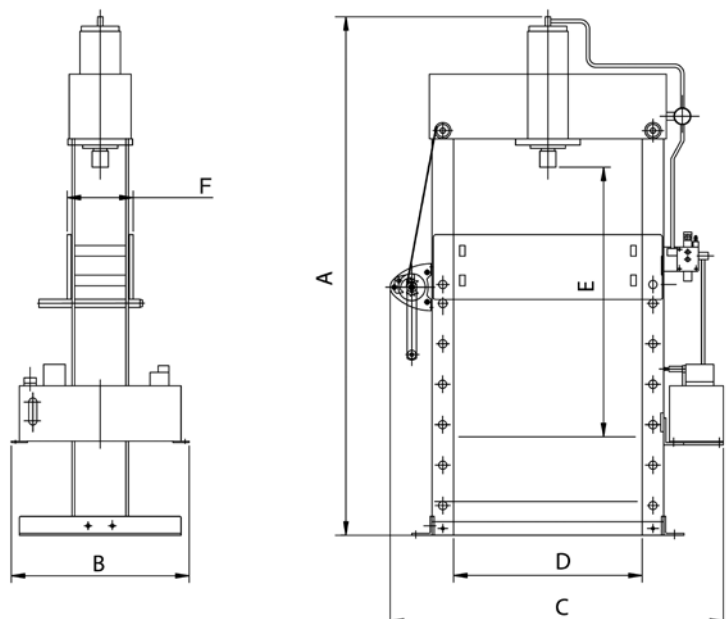
Model	HWPEP-2 30	HWPEP-2 40	HWPEP-2 50	HWPEP-2 100
EAN-No. 4050939***	***017729	***017972	***018061	***018337
Pressing power, t	30	40	50	100
Operating pressure, bar	250	330	330	320
Lifting height, mm	260	260	260	300
Total height A, mm	1880	2010	2030	2170
Total depth B, mm	660	780	850	1000
Total width C, mm	1240	1315	1460	1700
Clear working width D, mm	700	775	775	1000
Clear working height E, mm	1.000	1125	1155	1075
Table width F, mm	245	258	300	415
Closing speed, mm/s – 1 <sup>st</sup> stage	25	25	25	25
Closing speed, mm/s – 2 <sup>nd</sup> stage	4.2	4.2	3.3	2.9
Motor	400V/2.2 kW			400V/3 kW
ED, %	S 3-30% <sup>1</sup>			
Weight, kg	280	340	450	920

<sup>1</sup> maximum pressing capacity of 10 full load/full lift presses per hour

## INFO

### Intended use:

A workshop press/straightening press is a press with a slow closing speed of 10 mm/sec. and a maximum pressing capacity of 10 full load/full lift presses per hour.



## Accessories for workshop presses model HWPHP and HWPEP

### Technical data accessories - supporting plate

EAN-No. 4050939***	suitable for workshop press	Length mm	Width mm	Bore hole diameter mm
-	15/20t <sup>1</sup>	240	240	20/25/35
***018498	30/40t	240	290	20/25/35
***018504	50t	350	320	20/25/35
***017330	100t	420	300	20/25/35

<sup>1</sup> included in scope of delivery



### Technical data accessories - prism set

EAN-No. 4050939***	suitable for workshop press	Length mm	Width mm
-	15/20t <sup>1</sup>	195	110
***017019	30/40t	265	140
***017026	50t	300	160
***017033	100t	425	240

<sup>1</sup> included in scope of delivery



### Technical data accessories - centering device

EAN-No. 4050939***	suitable for workshop press	Length mm
-	15/20t <sup>1</sup>	650
***017538	30t	650
***017545	40/50t	900
***017552	100t	1200

<sup>1</sup> included in scope of delivery



### Technical data accessories - pressing pin set

EAN-No. 4053981** 4050939***	suitable for workshop press	Version	Diameter mm
***017040	15 - 40t	6-part	12, 14, 16, 18, 20, 22
***017057	15 - 40t	8-part	12, 14, 16, 18, 20, 22, 25, 30
**008547	50 - 100t	6-part	12, 14, 16, 18, 20, 22
**008554	50 - 100t	8-part	12, 14, 16, 18, 20, 22, 25, 30





## Hydraulic service jack model HRH P PROLINE

Capacity 1.5 - 15 t

For lifting vehicles on one side (the lifted load must be secured mechanically with supporting stands, for example) and for lifting vehicles with a small ground clearance.

### Features

- Quick-lift function as standard
- Controlling, lifting and lowering via the draw bar
- Integrated pressure control valve for a longer service life of the jack.



### Technical data model HRH P PROLINE

Model	EAN-No. 4050939***	Quick lift	Capacity t	Height min. mm	Height max. mm	Dimensions max L x W x H mm	Weight kg
HRH P 1,5 H <sup>1</sup>	***018429	X	1.5	98	800	1095 x 440 x 169	48
HRH P 2,0	***018047	X	2	80	500	730 x 340 x 160	36
HRH P 2,0 L <sup>2</sup>	***018252	X	2	90	500	950 x 340 x 126	41
HRH P 3,0 H <sup>1</sup>	***017088	X	3	130	860	1620 x 460 x 210	88
HRH P 4,0	***018542	X	4	145	560	1270 x 465 x 200	70
HRH P 6,0	***017125	X	6	155	570	1395 x 470 x 210	90
HRH P 8,0 H <sup>1</sup>	***012809	X	8	180	960	1830 x 475 x 350	160
HRH P 10,0	***017248	X	10	170	670	1700 x 470 x 280	136
HRH P 15,0	***017408	X	15	200	600	1790 x 475 x 325	162

H<sup>1</sup> = Lift-up jack    L<sup>2</sup> = long

## Hydraulic service jack model HRH S SILVERLINE

Capacity 2 - 5 t

For lifting vehicles on one side (the lifted load must be secured mechanically with supporting stands, for example).

### Features

- Quick-lift function as standard (except model HRH S 2,0 K)
- Model HRH S 2,0 K with handy plastic case for ease of transport.
- Integrated pressure control valve for a longer service life of the jack.
- Version L – lockable pump lever.



### Technical data model HRH S SILVERLINE

Model	EAN-No. 4025092* 4050939***	Quick lift	Capacity t	Height min. mm	Height max. mm	Dimensions max. L x W x H mm	Weight kg
HRH S 2,0 L	***017804	X	2	140	800	1350 x 430 x 190	75
HRH S 3,0 L	*985482	X	3	125	605	1310 x 320 x 185	70
HRH S 5,0 L	*985499	X	5	145	560	1420 x 350 x 198	95



## Supporting stand model UB

### Capacity 2 - 12 t

For mechanical support of lifted loads and for jacking-up loads which must be held for a long period of time.

### Features

- Stamp with 6 height adjustments, locking with pin and cotter pin. For capacities above 12 t adjustment through threaded spindle.
- High level of stability.

### Technical data model UB

Model	EAN-No. 4053981**	Capacity t	Height min. mm	Height max. mm	Height adjustment mm	Raster points	Spread angle	Weight kg
UB 2 H	**022437	2	430	740	310	6	3 x 120°	5.8
UB 3	**022444	3	315	540	225	6	3 x 120°	3.9
UB 5	**022451	5	365	605	240	6	3 x 120°	6.5
UB 8	**022468	8	370	600	230	6	3 x 120°	9.7
UB 8 H	**022475	8	550	970	420	6	3 x 120°	13.8
UB 12 S	**022482	12	320	500	180	spindle	3 x 120°	11.6
UB 12 HS	**022499	12	475	725	250	spindle	3 x 120°	15.0



## Hydraulic repair set model HAW S

### Pressing power 4 and 10 t

A useful tool for repairs on car/truck bodies for quick planishing, spreading and pressing with high loads.

### Features

- Available in two versions for 4 t and 10 t.
- All parts are packed in a stable plastic case.

### Technical data model HAW

Model	EAN-No. 4050939***	Pressing power t	Cylinder stroke mm	Weight kg
HAW S 4,0	***010768	4	127	20.5
HAW S 10,0	***011185	10	152	34.5

## Hydraulic workshop crane model HWK KL S SILVERLINE

Capacity 500 and 1000 kg

For fitting and removing engines and for loading and unloading pallets.

### Features

- With slewing hydraulic system and sensitive lowering valve, as standard.
- With folding device for space-saving storage of the crane.
- Chassis variants: V-shaped or parallel.
- With speed increasing ratio



### Technical data model HWK KL S SILVERLINE

Model	HWK KLS 0,5	HWK KLS 0,5	HWK KLS 1,0	HWK KLS 1,0
EAN-No. 4050939***	***018313	***018276	***018412	***018405
Chassis form	parallel	V-shaped	parallel	V-shaped
Capacity with crane arm length A1, kg/mm	500/1130	500/1130	1000/1130	1000/1130
Capacity with crane arm length A2, kg/mm	400/1230	400/1230	800/1230	800/1230
Capacity with crane arm length A3, kg/mm	350/1330	350/1330	700/1330	700/1330
Capacity with crane arm length A4, kg/mm	250/1430	250/1430	500/1430	500/1430
Hook height at max. outermost position B, mm	2200	2200	2200	2200
Hook height at max. innermost position C, mm	2080	2080	2080	2080
Hook height at max. outermost position E, mm	770	770	770	770
Hook height at max. innermost position D, mm	940	940	940	940
Lifting height per pump stroke with/without load, mm	20/80	20/80	20/80	20/80
Operating pressure, bar	150	150	290	290
Hand effort at WLL, daN	16	16	32	32
Drive-through height G, mm	1680	1680	1680	1680
Underclearance height M, mm	160	160	160	160
Chassis length, total H, mm	1820	1820	1820	1820
Chassis width, inside/outside I/J, mm	850/990	850/990	850/990	850/990
Weight, kg	138	132	156	150

